

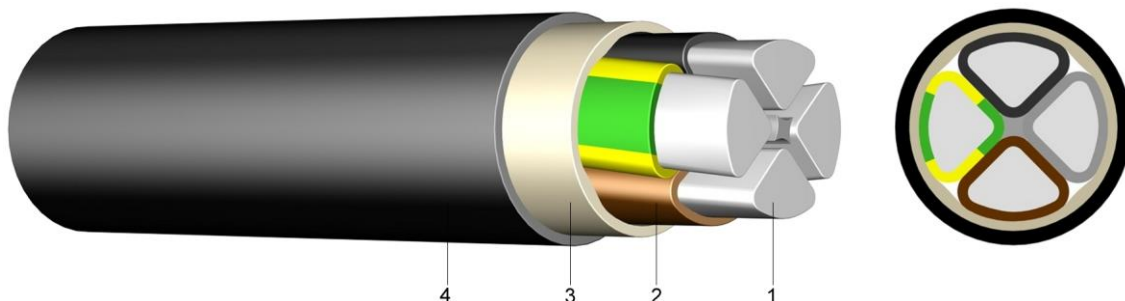


E-AY2Y

PVC Insulated Heavy Current Cable with Aluminium Conductor and PE Outer Sheath

Application:

This power cable is suitable for fixed installations in cable ducts outdoors, in water or underground if no mechanical damage is to be expected.



Construction:

- 1 solid (RE/SE) or stranded (RM/SM) aluminium wire
- 2 core insulation of polyvinylchloride (PVC)
- 3 PVC core covering or taping
- 4 outer sheath of polyethylene (PE), black, Shore-hardness HD 55-60 UV-resistant

Standards:

- ÖVE K 23 and K 603
- HD 603 S1
- DIN EN 60228 class 1 and 2 (construction)
- HD 308 S2 (core identification)

Technical data:

Nominal voltage U ₀ /U		[V]	600 / 1000 Volt
Test voltage		[V] _{Ac}	4000
Temperature range	in motion		- 5°C till +70°C
	fixed		-20°C till +70°C
Operating temperature	short circuit	°C	160°C
Bending radius	single-core style	x diameter	15
	multi-core style	x diameter	12
Short circuit time	max.	[sec]	5
Flammability	standard		EN 60332-1-2

Number of cores and nominal cross section	from stock	from stock	Aluminium figure	Overall diameter	Weight	Current carrying capacity ground	Current carrying capacity air
mm ²	J	O	kg/km	appr. mm	appr. kg / km	A	A
1 x 120 RM	●		348	20	525	389	302
3 x 240/120 SM	●	●	2.470	55	3.994	364	338
4 x 25 RE	●		294	24	769	102	82
4 x 50 SE	●	○	588	28	1.093	144	119
4 x 95 SE	●	○	1.117	37	1.930	215	186
4 x 150 SE	●	○	1.764	45	2.822	275	246
4 x 25 RM	○	○	294	24	769	102	82
4 x 35 SM	●	○	412	25	868	123	100
4 x 50 SM	●	○	588	28	1.091	144	119
4 x 95 SM	●	○	1.117	37	1.930	215	186
4 x 150 SM	●	○	1.764	43	2.449	275	246
4 x 185 SM	●	○	2.176	48	3.075	313	285
4 x 240 SM	●	●	2.822	57	4.509	364	338