

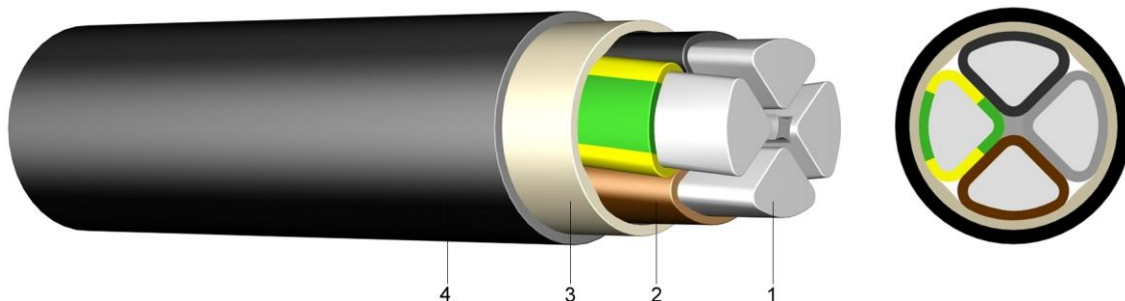


## E-AYY

## PVC Insulated Cable with Aluminium Conductor

### Application:

This power cable is suitable for fixed installations, preferably in cable ducts, indoors, outdoors, in water or underground if no mechanical damage is to be expected.



### Construction:

- 1 ..... solid (SE) or stranded (RM/SM) aluminium wires
- 2 ..... core insulation of polyvinylchloride (PVC)
- 3 ..... PVC core covering or taping
- 4 ..... outer sheath of polyvinylchloride (PVC), black, UV-resistant

### Information:

short circuit temperature at core (max. 5 sec.)  
 $\leq 300\text{mm}^2 \rightarrow 160^\circ\text{C}$   
 $> 300\text{mm}^2 \rightarrow 140^\circ\text{C}$

### Standards:

ÖVE K 23 and K 603  
 HD 603 S1  
 DIN EN 60228 class 1 and 2 (construction)  
 HD 308 S2 (core identification)

### Technical data:

|                         |                                       |                                      |
|-------------------------|---------------------------------------|--------------------------------------|
| Nominal voltage $U_0/U$ | [V]                                   | 600 / 1000 Volt                      |
| Test voltage            | [V] <sub>AC</sub>                     | 4000                                 |
| Temperature range       | in motion<br>fixed                    | - 5°C till +70°C<br>-20°C till +70°C |
| Bending radius          | single-core style<br>multi-core style | x diameter<br>x diameter             |
| Flammability            | standard                              | 15<br>12<br>EN 60332-1-2             |

| Number of cores and nominal cross section | from stock |   | Aluminium figure | Overall diameter | Weight        | Current carrying capacity ground | Current carrying capacity air |
|---|------------|---|------------------|------------------|---------------|----------------------------------|-------------------------------|
|   | J          | O |                  |                  |               |                                  |                               |
| mm <sup>2</sup>                           |            |   | kg/km            | appr. mm         | appr. kg / km | A                                | A                             |
| 1 x 25 RM                                 |            | ● | 74               | 11               | 174           | 106                              | 87                            |
| 1 x 35 RM                                 | ●          | ● | 103              | 12               | 209           | 127                              | 107                           |
| 1 x 50 RM                                 | ●          | ● | 147              | 14               | 282           | 151                              | 131                           |
| 1 x 70 RM                                 | ●          | ● | 206              | 16               | 363           | 185                              | 166                           |
| 1 x 95 RM                                 | ●          | ● | 279              | 18               | 520           | 222                              | 205                           |
| 1 x 120 RM                                | ●          | ● | 353              | 19               | 557           | 253                              | 239                           |
| 1 x 150 RM                                | ●          | ● | 441              | 21               | 674           | 284                              | 273                           |
| 1 x 185 RM                                | ●          | ● | 544              | 24               | 826           | 322                              | 317                           |
| 1 x 240 RM                                | ●          | ● | 706              | 26               | 1.052         | 375                              | 378                           |
| 1 x 300 RM                                | ●          | ● | 882              | 29               | 1.282         | 425                              | 437                           |
| 1 x 400 RM                                |            | ● | 1.200            | 32               | 1.598         | 487                              | 513                           |
| 1 x 500 RM                                |            | ● | 1.510            | 36               | 2.022         | 558                              | 600                           |
| 1 x 630 RM                                |            | ● | 1.900            | 40               | 2.200         | 635                              | 701                           |
| 3 x 240/120 SM                            | ●          | ● | 2.470            | 55               | 4.215         | 364                              | 338                           |



| Number of cores<br>and nominal<br>cross section | from<br>stock | from<br>stock | Aluminium<br>figure | Overall<br>diameter | Weight           | Current<br>carrying<br>capacity<br>ground | Current<br>carrying<br>capacity<br>air |
|---|---------------|---------------|---------------------|---------------------|------------------|---|--|
| mm <sup>2</sup>                                 | J             | O             | kg/km               | appr.<br>mm         | appr.<br>kg / km | A   | A                                      |
| 4 x 150 SE                                      | ●             | ○             | 1.764               | 45                  | 2.594            | 275                                       | 246                                    |
| 4 x 16 RE                                       | ●             |               | 194                 | 20                  | 520              | 101                                       | 78                                     |
| 4 x 25 RM                                       | ●             | ●             | 294                 | 25                  | 887              | 102                                       | 82                                     |
| 4 x 35 SM                                       | ●             | ●             | 412                 | 26                  | 796              | 123                                       | 100                                    |
| 4 x 50 SM                                       | ●             | ●             | 588                 | 27                  | 1.017            | 144                                       | 119                                    |
| 4 x 70 SM                                       | ●             | ●             | 823                 | 30                  | 1.312            | 179                                       | 152                                    |
| 4 x 95 SM                                       | ●             | ●             | 1.117               | 36                  | 1.698            | 215                                       | 186                                    |
| 4 x 120 SM                                      | ●             | ●             | 1.411               | 40                  | 2.459            | 245                                       | 216                                    |
| 4 x 150 SM                                      | ●             | ●             | 1.764               | 43                  | 2.594            | 275                                       | 246                                    |
| 4 x 185 SM                                      | ●             | ●             | 2.176               | 50                  | 3.777            | 313                                       | 285                                    |
| 4 x 240 SM                                      | ●             | ●             | 2.822               | 54                  | 4.106            | 364                                       | 338                                    |
| 4 x 300 SM                                      | ●             | ○             | 3.528               | 61                  | 5.000            | 419                                       | 400                                    |
| 5 x 10 RE                                       | ●             |               | 147                 | 20                  | 520              | 42  | 33                                     |
| 5 x 16 RM                                       | ●             |               | 235                 | 22                  | 675              | 55  | 47                                     |
| 5 x 25 RM                                       | ●             |               | 368                 | 26                  | 1.018            | 102                                       | 81                                     |
| 5 x 35 RM                                       | ●             |               | 515                 | 30                  | 1.316            | 121                                       | 99                                     |
| 5 x 50 RM                                       | ●             |               | 735                 | 32                  | 1.549            | 144                                       | 119                                    |
| 5 x 70 RM                                       | ●             |               | 1.029               | 37                  | 2.021            | 179                                       | 152                                    |
| 5 x 95 RM                                       | ●             |               | 1.397               | 41                  | 2.598            | 215                                       | 186                                    |
| 5 x 120 RM                                      | ●             |               | 1.764               | 47                  | 3.201            | 245                                       | 216                                    |
| 5 x 150 RM                                      | ●             |               | 2.218               | 56                  | 4.300            | 275                                       | 246                                    |
| 5 x 185 RM                                      | ●             |               | 2.736               | 62                  | 5.350            | 313                                       | 285                                    |
| 5 x 240 RM                                      | ●             |               | 3.530               | 71                  | 7.580            | 364                                       | 338                                    |